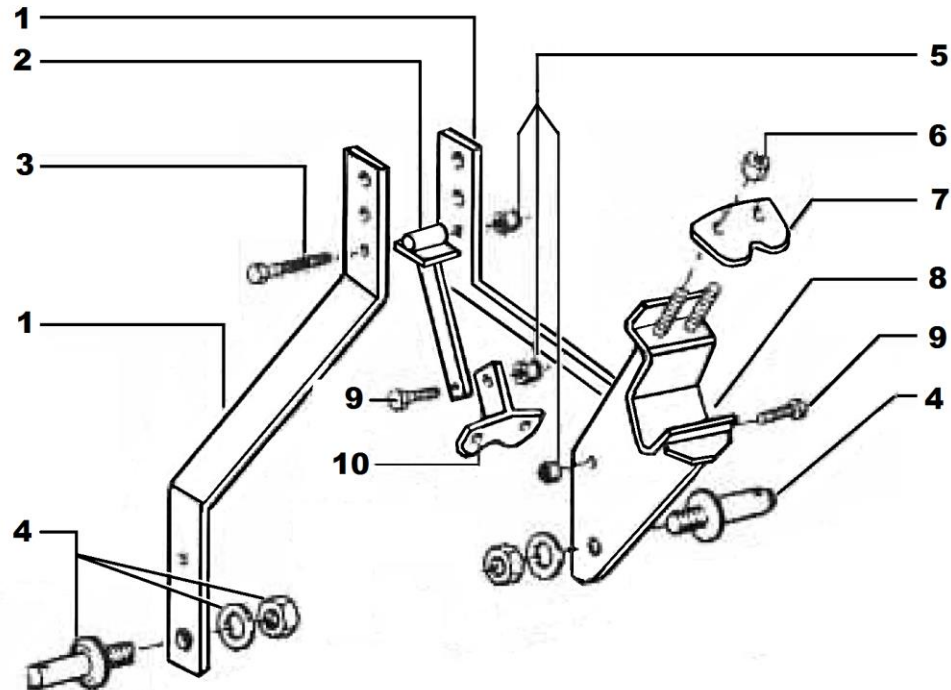


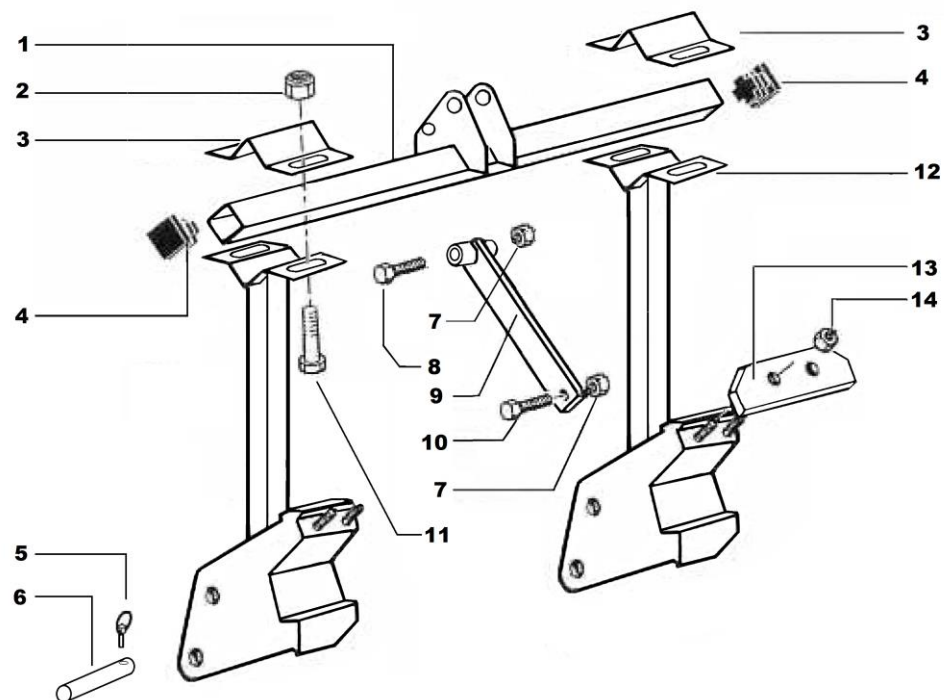
No	Part Number	Qty	Description
1	M310100006	2	Top Mast Arm
2	M410680009	1	Top Link
3	M103150109	1	Bolt M14 x 100
4	M101040002	2	Hitch Pin CAT I
5	M103040070	4	Locknut M14
6	M103040022	4	Nut M12
7	M310770001	4	Clamp Plate
8	M410610022	2	Hitch Bracket
9	M103150101	3	Bolt M14 x 45
10	M410600001	1	T Clamp Plate



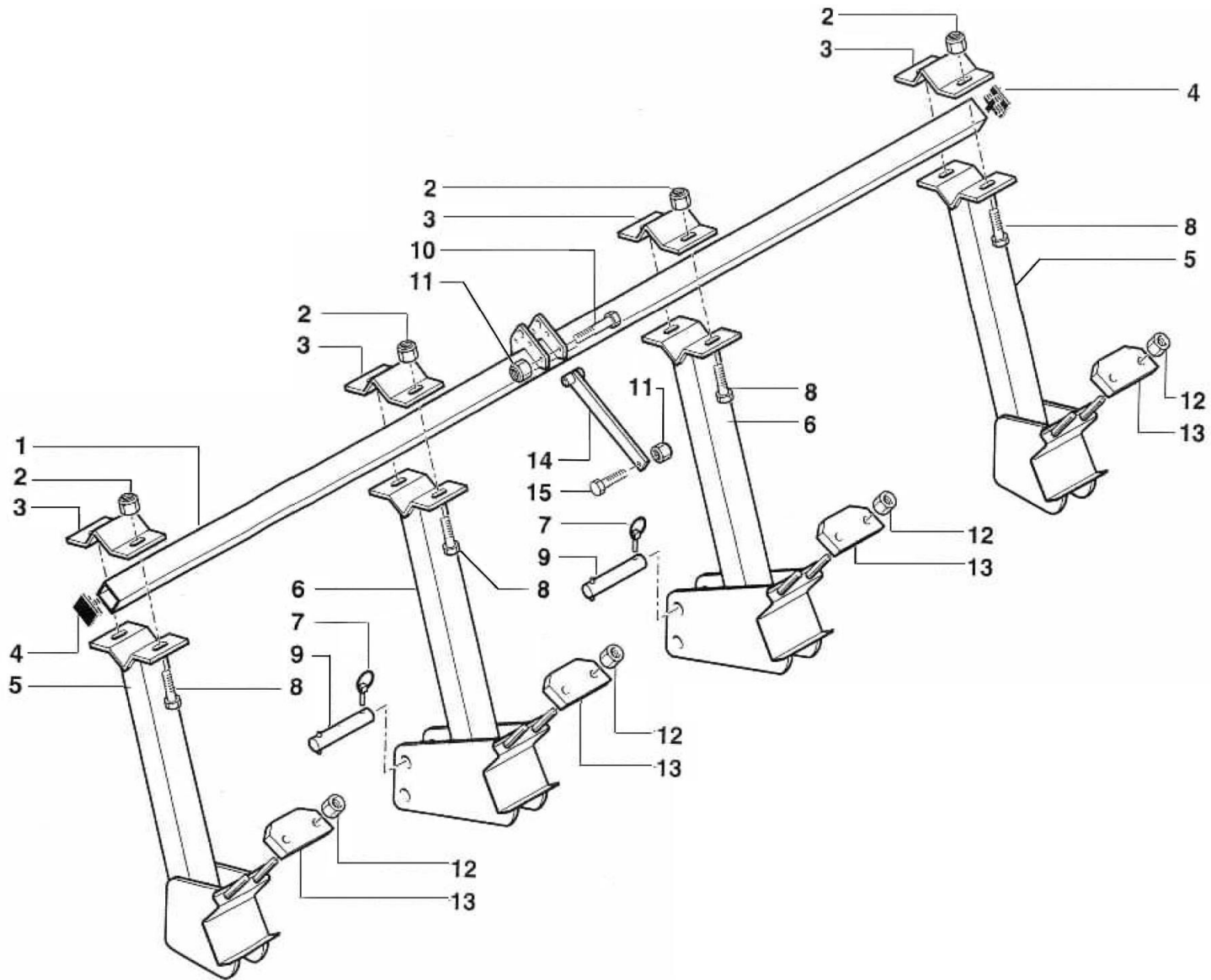
FL – FLA 3-POINT HOOK UP (“A” FRAME)

90” FRAMES AND NARROWER

No	Part Number	Qty	Description
1	M420610074	1	Top Tube
2	M103040072	4	Locknut M16
3	M350770012	2	Top Tube Clamp Plate
4	M103120007	2	Plug
5	M101070002	2	Lynch Pin
6	M310560015	2	Hitch Pin CAT I
7	M103040070	2	Locknut M14
8	M103150109	1	Bolt M14 x 100
9	M410680016	1	Tie Rod
10	M103150098	1	Bolt M14 x 35
11	M103150128	4	Bolt M16 x 55
12	M410610075	2	Center Upright
13	M310770002	2	Clamp Plate
14	M103040022	4	Nut M12



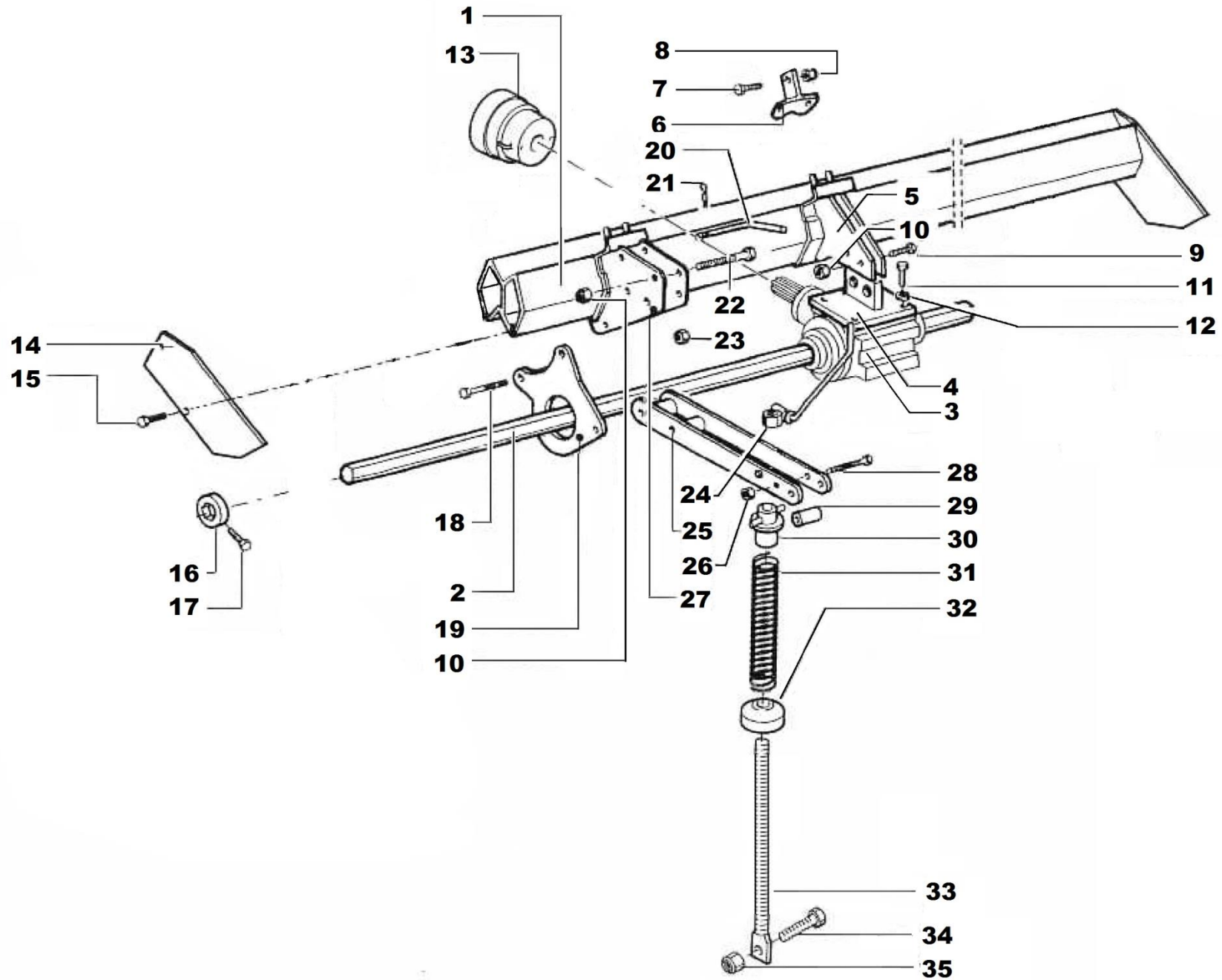
FL – FLA 3-POINT HOOKUP
132" FRAME ONLY



FL - FLA 3-POINT HITCH
158" FRAME ONLY

**FL – FLA 3-POINT HITCH
158” FRAME ONLY**

No	Part Number	Qty	Description
1	M420610061	1	Top Tube
2	M103040072	8	Locknut M16
3	M350770012	4	Top Tube Clamp Plate
4	M103120007	2	Plug
5	M410610084	2	Outside Upright
6	M410610075	2	Center Upright
7	M101070002	2	Lynch Pin
8	M103150128	8	M16 x 55 Plated
9	M310560015	2	Hitch Pin CAT I
10	M103150109	1	Bolt M14 x 100
11	M103040070	2	Locknut M14
12	M103040022	8	Nut M12
13	M310770002	4	Clamp Plate
14	M410680016	1	Tie Rod
15	M103150098	1	Bolt M14 x 35



FL FRAME

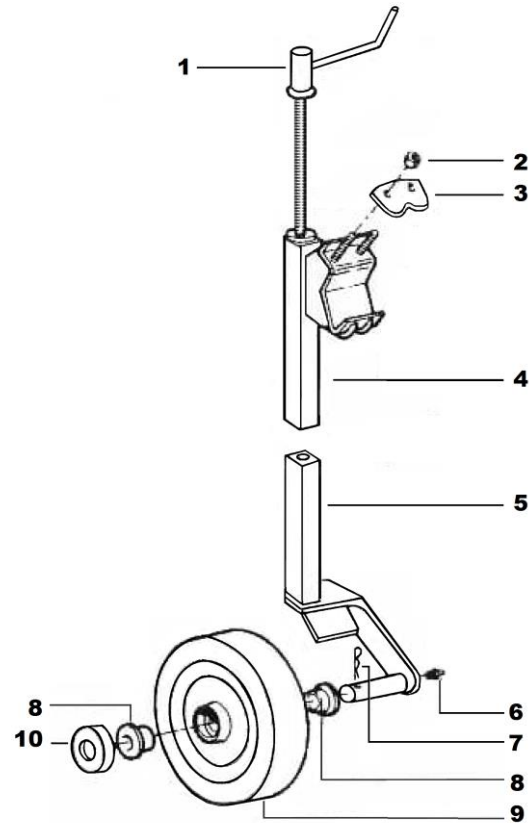
FL FRAME

No	Part Number	Qty	Description
1	M410650002	1	66" Toolbar
	M410650004	1	90" Toolbar
	M410650006	(1)	110" Toolbar (Optional)
	M410650007	1	132" Toolbar
	M410650008	1	158" Toolbar
2	M310080002	1	66" 30mm Hex Bar
	M310080004	1	90" 30mm Hex Bar
	M310080008	(1)	110" 30mm Hex Bar (Optional)
	M310080006	1	132" 30mm Hex Bar
	M310080007	1	158" 30mm Hex Bar
3	M112050024	1	FL 30mm 540 RPM Gearbox; TB27C
	M112050012XXN	1	FL 30mm 540 RPM Gearbox; Extra Narrow
4	M410610057	1	Lower Gearbox Support Bracket
	M410610025	(1)	Lower Bracket for Extra Narrow Gearbox
5	M410610021	1	Upper Gearbox Support Bracket
	M410610026	(1)	Upper Bracket for Extra Narrow Gearbox
6	M410600001	1	T-Clamp Plate
7	M103150101	1	Bolt M14 x 45
8	M103040070	1	Locknut M14
9	M103150081	1	Bolt M12 x 60
10	M103040068	1 + X	Locknut M12
11	M103150044	4	Bolt M10 x 30
12	M103100008	4	Washer M10
13	M101010002	1	PTO Guard
14	M310620004	2	Guard Plate
15	M103150034	4	Bolt M10 x 20
16	M310020001	2	Locking Ring 30mm
17	M103150005	2	Bolt M8 x 16
18	M103150093	2 * X	Bolt M12 x 112 x 1.75
19	M310570018	2 * X	Chaincase Mounting Plate
20	M310410001	X	Pin
21	M101020002	X	Clip
22	M103150090	X	Bolt M12 x 90 x 1.75
23	M103040022	X	Nut M12
24	M510130001	X	Nut with Handle
25	M410490001	X	Bracket Arm
26	M103040008	X	Nut M8
27	M410040001	X	Head Clamp
28	M103150029	X	Bolt M8 x 70
29	M310210009	X	Spacer
30	M410490001	X	Spring Guide
31	M310470001	X	Spring Coil
32	M410120001	X	Spring Collar
33	M310820001	X	Threaded Rod FL
	M310820002	X	Threaded Rod FLA
34	M103150011	X	Bolt M8 x 25
35	M103040064	X	Locknut M8

M510120023 Gearbox Mounting Kit	M510210003 FL Gearbox with mounting kit
	M510210001XXN FL Extra Narrow Gearbox with mounting kit
M510120021 Extra Narrow Gearbox Mounting Kit	

"X" is equal to the number of heads on the toolbar. So if there are 2 heads then X=2

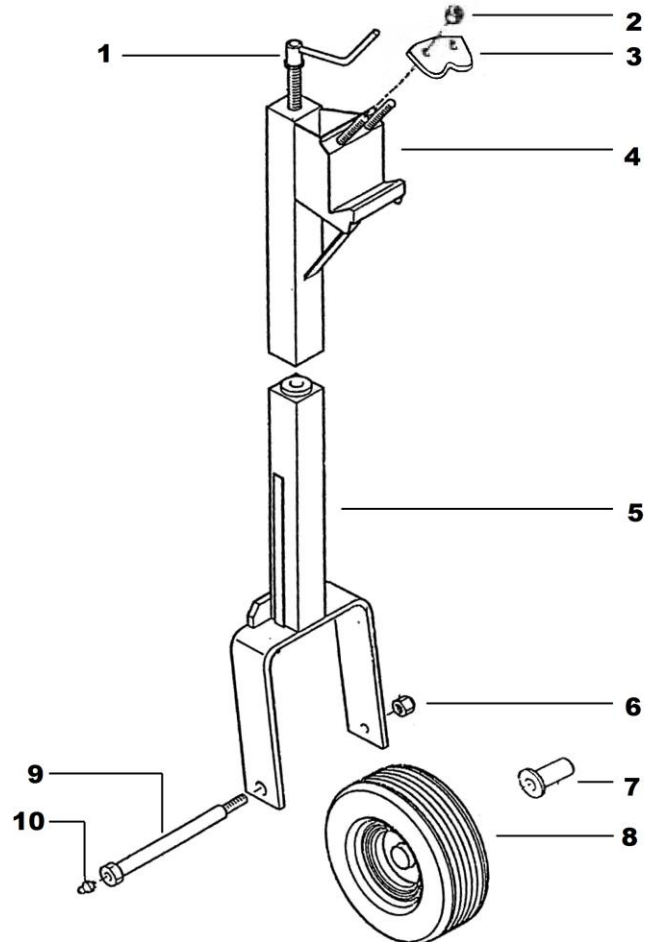
No	Part Number	Qty	Description
1	M500130004	1	Screw with Handle
2	M103040022	2	Nut M12
3	M310770001	1	Clamp Plate
4	M410610014	1	Upper Support FL/FLA
5	M410610015	1	Lower Support FL
	M410610018	1	Lower Support FLA
6	M103090002	1	Zerk M8
7	M101020010	1	Cotter Pin
8	M102010002	2	Bushing
9	M101050010	1	Wheel 250mm x 100mm
10	M310550001	1	Dust Cover



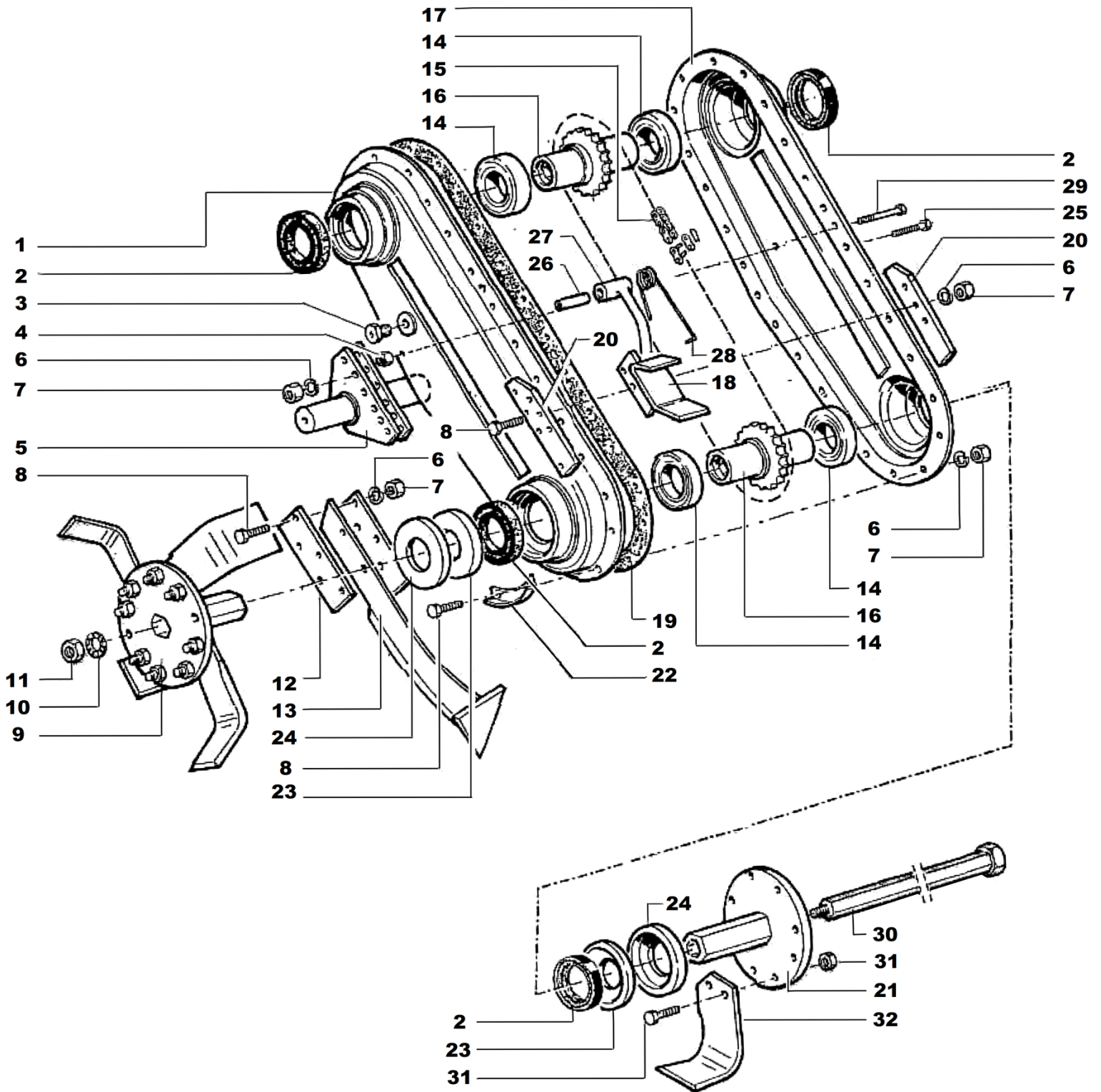
FL – FLA
M510250004 – FL
M510250005 – FLA

No	Part Number	Qty	Description
1	M500130004	1	Screw with Handle
2	M103040034	2	Nut M16 x 2.00
3	M310770001	1	Clamp Plate
4	M410610014.01	1	Upper Support
5	M410610018.02	1	Lower Support
6	M103040072	1	Locknut M16
7	M420220009	2	Spacer
8	M101050013	1	Wheel
9	M320560030	1	Axle
10	M103090002	1	Zerk M8

Not Shown	M300470024	1	Handle Spring
-----------	------------	---	---------------



FLA PNEUMATIC
M510250002.02



FL CHAINCASE ASSEMBLY

FL CHAINCASE ASSEMBLY

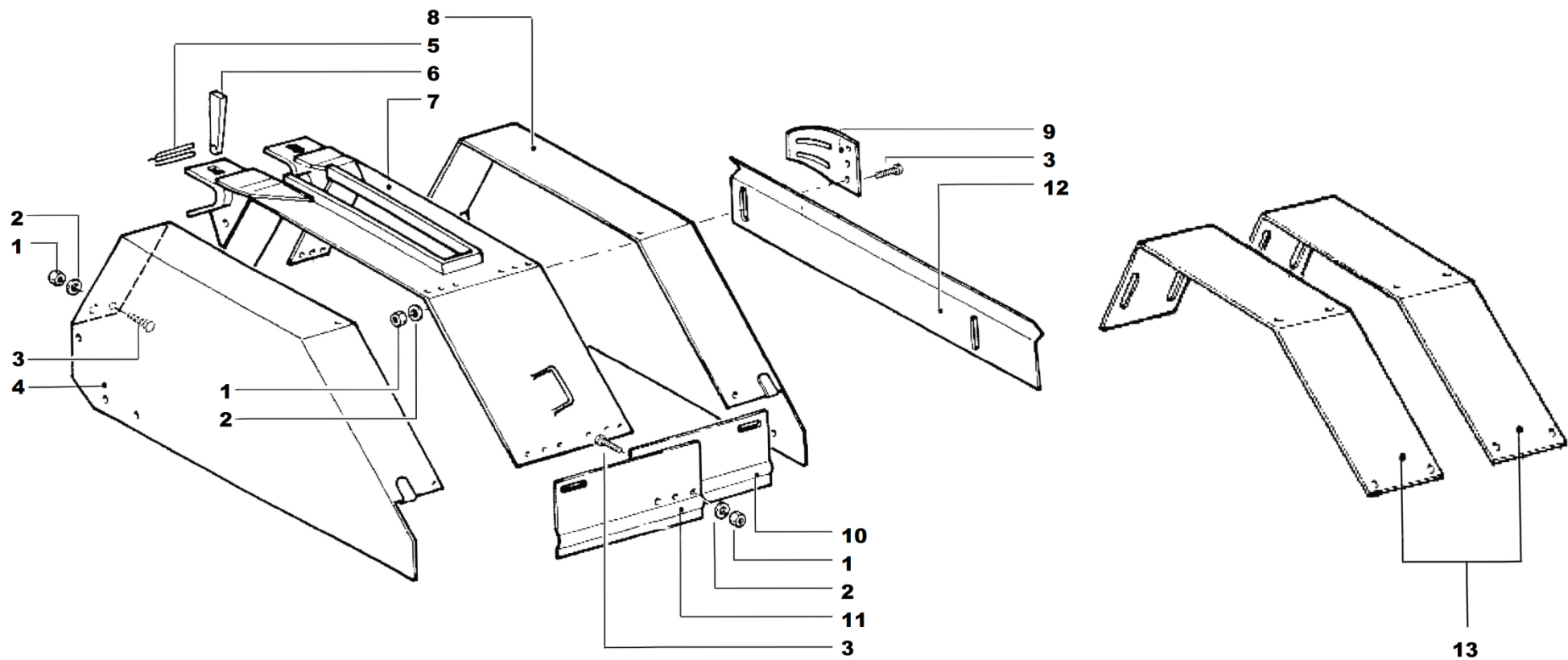
No	Part Number	Qty	Description
1	M410552001	1	Chaincase Half; Left / FL
	M410552015	1	Chaincase Half; Left / FLA
2	M109040004	4	Oilseal 65 x 45 x 10
3	M320800001	1	Fill Plug
4	M103040062	1	Locknut M6
5	M410610020	1	Front Shield Support / FL (6 Holes)
	M410610056	1	Front Shield Support / FLA (7 Holes)
6	M103100002	18	Washer M6
7	M103040062	22	Locknut M6
8	M103140008	9	Bolt M6 x 25
9	M510152001	1	Right Flange with Blades for 5.5"-7" Heads
	M510154001	1	Left Flange with Blades for 5.5"-7" Heads
	M510152002	1 + X	Right Flange with Blades
	M510154002	1 + X	Left Flange with Blades
10	M103100042	1	Washer M18
11	M103040044	1	Nut M18 x 1.5 (Low Profile)
12	M310580005	2	Depth Skid Plate / FL
	M310580109	2	Depth Skid Plate / FLA
13	M410590001	1	Depth Skid
14	M104010008	4	Bearing 6009
15	M112020002	1	Chain Assembly ¾" X 50 Pitch / FL
	M112020004.01	1	Chain Assembly ¾" X 62 Pitch / FLA
16	M310600002	2	Sprocket FL/FLA
17	M410554001	1	Chaincase Half; Right / FL
	M410554015	1	Chaincase Half; Right / FLA
18	M410030001	1	Shield Support
19	M310330001	1	Chaincase Gasket / FL
	M310330015	1	Chaincase Gasket / FLA (32 Holes)
20	M310580007	2	Rear Shield Support Mounting Plate
21	M410370002	2 + X	Rotor Flange
22	M310620055-FL	2	Chaincase Protector / FL
	M310620055-FLA	2	Chaincase Protector / FLA
23	M310550002	2	Dust Cover
24	M310210011	2	Rotor Spacer

No	Part Number	Qty	Description
25	M103140005	16	Bolt M6 x 16
26	M310090015	1	Bushing for Chain Skid
27	M410660002	1	Chain Skid
28	M310470007	1	Chain Tensioner Spring
29	M103140013	1	Bolt M6 x 50
30	M410680010	1	Drawbolt for 7"-10" Heads (6-¾")
	M410680011	1	Drawbolt for 12"-15" Heads (11.5")
	M410680012	1	Drawbolt for 16"-20" Heads (16")
	M410680013	1	Drawbolt for 20"-24" Heads (21")
31	M410680014	1	Drawbolt for 28"-32" Heads (26")
	M1111603	16 + (8 * X)	Blade Bolt & Locknut M10 x 20 x 1.25
32	M111182-R	4 + (2 * X)	FL Blade Right Hand
	M111182-L	4 + (2 * X)	FL Blade Left Hand
	M116010015-R		FL Blade Right Hand for 5.5"-7" Heads
	M116010015-L		FL Blade Left Hand for 5.5"-7" Heads

M510041001	Drive Case Assembly FL
M510040022	Drive Case Assembly FLA

Head Assemblies with Shields and Blades		
5.5"-7"	M510070001	FL Head Assembly with Shields and Blades
	M510070013	FLA Head Assembly with Shields and Blades
7"-10"	M510070002	FL Head Assembly with Shields and Blades
	M510070014	FLA Head Assembly with Shields and Blades
12"-15"	M510070003	FL Head Assembly with Shields and Blades
	M510070015	FLA Head Assembly with Shields and Blades
16"-20"	M510070004	FL Head Assembly with Shields and Blades
	M510070016	FLA Head Assembly with Shields and Blades
20"-24"	M510070005	FL Head Assembly with Shields and Blades
	M510070017	FLA Head Assembly with Shields and Blades
28"-32"	M510070006	FL Head Assembly with Shields and Blades
	M510070018	FLA Head Assembly with Shields and Blades

"X" is equal to the number of Flanges (M510152002 + M510154002) . So with one flange on either side, X = 2.



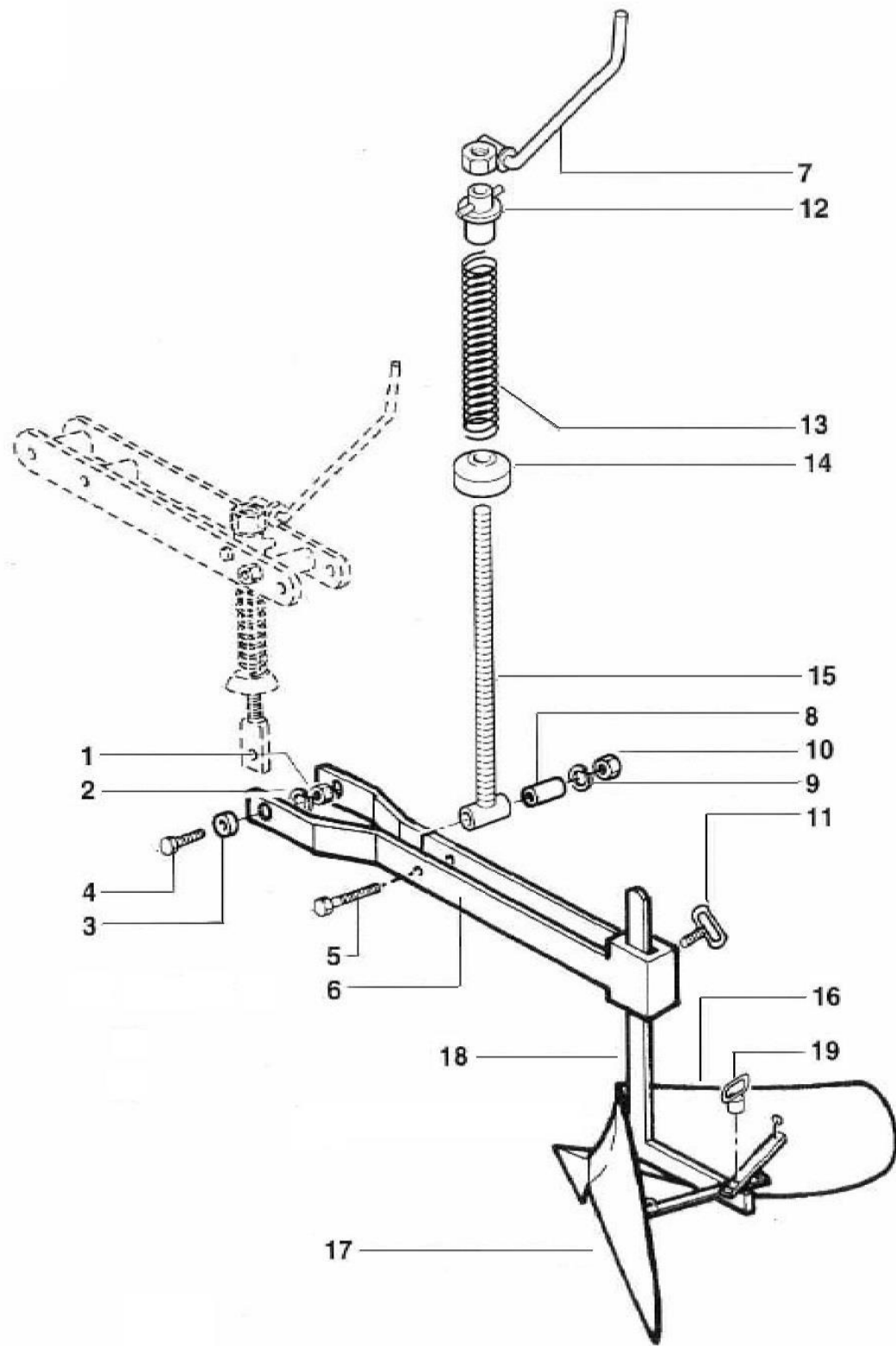
FL SHIELD ASSEMBLY

FL SHIELD ASSEMBLY			
No	Part Number	Qty	Description
1	M103040008	15	Nut M8
2	M103100006	15	Washer M8
3	M103150005	15	Bolt M8 x 16
4	M510164001	1	Side Shield Assembly/ Left Hand/ (2" Wide)
	M510164002	1	Side Shield Assembly/ Left Hand/ (3.5" Wide)
	M510164003	1	Side Shield Assembly/ Left Hand/ (5" Wide)
5	M300470018	2	Spring Wire Clip
6	M300740001	2	Wedge Pin
7	M410160001	1	Center Shield Extra Narrow(5.5" Wide)
	M410160002	1	Center Shield Narrow (7" Wide)
	M410160003	1	Center Shield Wide (16" Wide)
8	M510162001	1	Side Shield Assembly/ Right Hand/ (2" Wide)
	M510162002	1	Side Shield Assembly/ Right Hand/ (3.5" Wide)
	M510162003	1	Side Shield Assembly/ Right Hand/ (5" Wide)
9	M300620001.01	(2)	Plant Guard for 5.5"-7" Heads
	M300620001	2	Plant Guard for Standard Heads
10	M310622022	1	Rear Right Shielding for 5.5"-7" Heads
	M310622024	1	Rear Right Shielding for 7"-10" Heads
	M310622026	1	Rear Right Shielding for 12"-15" Heads
	M310622028	1	Rear Right Shielding for 16"-20" Heads
	M310622030	1	Rear Right Shielding for 20"-24" Heads
	M310622032	1	Rear Right Shielding for 28"-32" Heads
11	M310624022	1	Rear Left Shielding for 5.5"-7" Heads
	M310624024	1	Rear Left Shielding for 7"-10" Heads
	M310624026	1	Rear Left Shielding for 12"-15" Heads
	M310624028	1	Rear Left Shielding for 16"-20" Heads
	M310624030	1	Rear Left Shielding for 20"-24" Heads
	M310624032	1	Rear Left Shielding for 28"-32" Heads
12	M310622012	1	Side Shield Protector Right Hand
	M310624012	1	Side Shield Protector Left Hand
13	M310070001	(1)	Extension Shield (Optional)

Includes Side Shield Protector, Plant Guard, and hardware

Includes Side Shield Protector, Plant Guard, and hardware

M510050001	1	Shield Set Complete for 5.5"-7" Heads	Contains everything above the designated shield set
M510050002	1	Shield Set Complete for 7"-10" Heads	
M510050003	1	Shield Set Complete for 12"-15" Heads	
M510050004	1	Shield Set Complete for 16"-20" Heads	
M510050005	1	Shield Set Complete for 20"-24" Heads	
M510050006	1	Shield Set Complete for 28"-32" Heads	



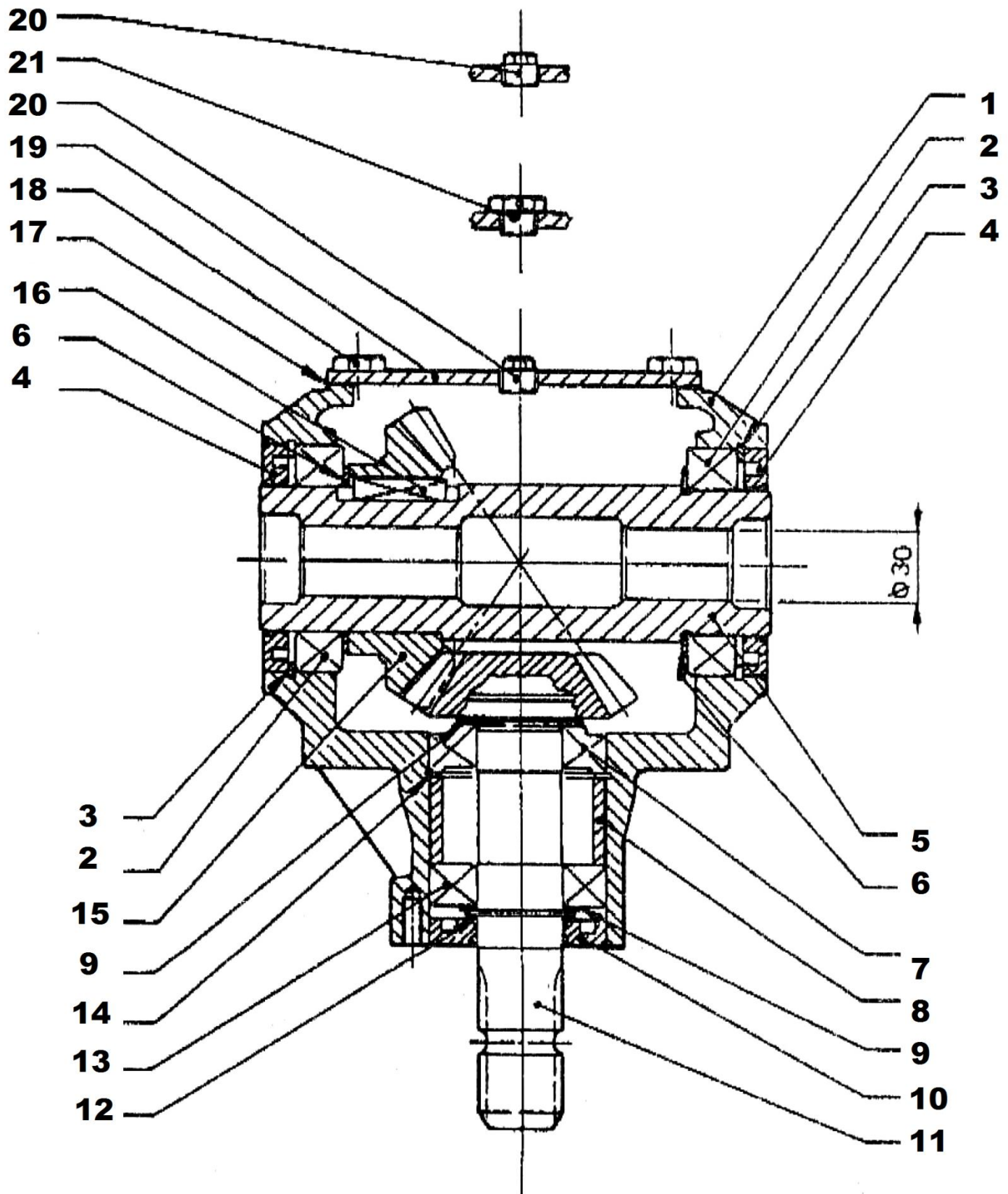
FL RIDGER ASSEMBLY

FL RIDGER ASSEMBLY

No	Part Number	Qty	Description
1	M103040014	2	Nut M10
2	M103100024	2	Lock Washer M10
3	M330090005	2	Bushing
4	M103150047	2	Bolt M10 x 35
5	M103150087	1	Bolt M12 x 80
6	M430090004	1	Ridger Bracket Arm / FL
	M430090005	1	Ridger Bracket Arm / FLA
7	M510130001	1	Handle with Nut
8	M310210009	1	Spacer
9	M103100010	1	Washer M12
10	M103040022	1	Nut M10
11	M440270001	1	Ridger Bolt
12	M410490001	1	Spring Guide
13	M310470001	1	Spring Coil / FL
14	M410120001	1	Spring Collar / FL
15	M430680008	1	Threaded Rod / FL
16	M430022001	1	Right Wing
17	M430024001	1	Left Wing
18	M440340001	1	Center Support
19	M440270002	1	Ridger Nut
	M330590001	1	Weld On Point
	M330030001	1	Weld on Wear Strip
	M330040026	2	Pin for Ridger Spade

	M500230001 Ridger Spade
Not Shown	

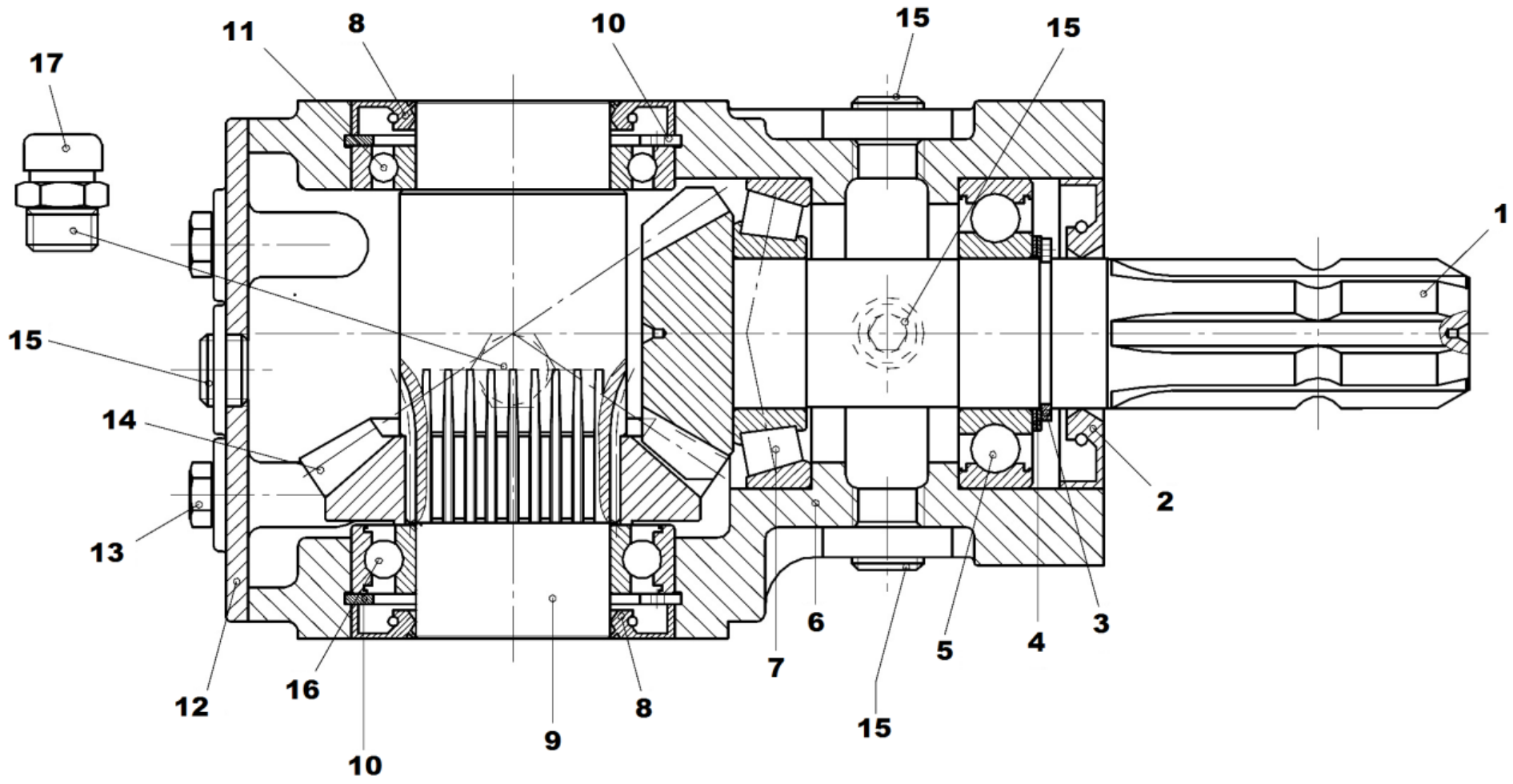
M540230002	Ridger Assembly / FL	Contains everything shown above
M540230003	Ridger Assembly / FLA	



FL GEARBOX

FL GEARBOX M112050024

No	Part Number	Qty	Description
1	M0267030200	1	Gearbox Housing
2	M80100169	2	Bearing 6012
3	M85201027	2	Internal Snpring 95mm
4	M0267710400	2	Oilseal 95 x 60 x 10 UNI 7437
5	M0267300100	1	Hex Sleeve 30mm
6	M0248750000	2	Shim 60.3 x 71.7
7	M80900026	1	Bearing 30207
8	M02677100	1	Spacer
9	M0259750000	2	Shim 35.3 x 43
10	M87300055	1	Oilseal 72 x 35 x 10
11	M0267500100	1	Pinion Shaft 15 Teeth
12	M85100005	1	External Snpring 35mm UNI 7435
13	M80100025	1	Bearing 6207
14	M85200131	1	Internal Snpring 72mm UNI 7437
15	M0267600000	1	Crownwheel 22 Teeth
16	M84101028	1	Key 14 x 9 x 35
17	M0267720000	1	Gasket
18	M81100054	4	Bolt M10 x 20
19	M0267130000	1	Cover
20	M86500006	2	3/8" Plug
22	M0107710001	1	3/8" Breather Plug

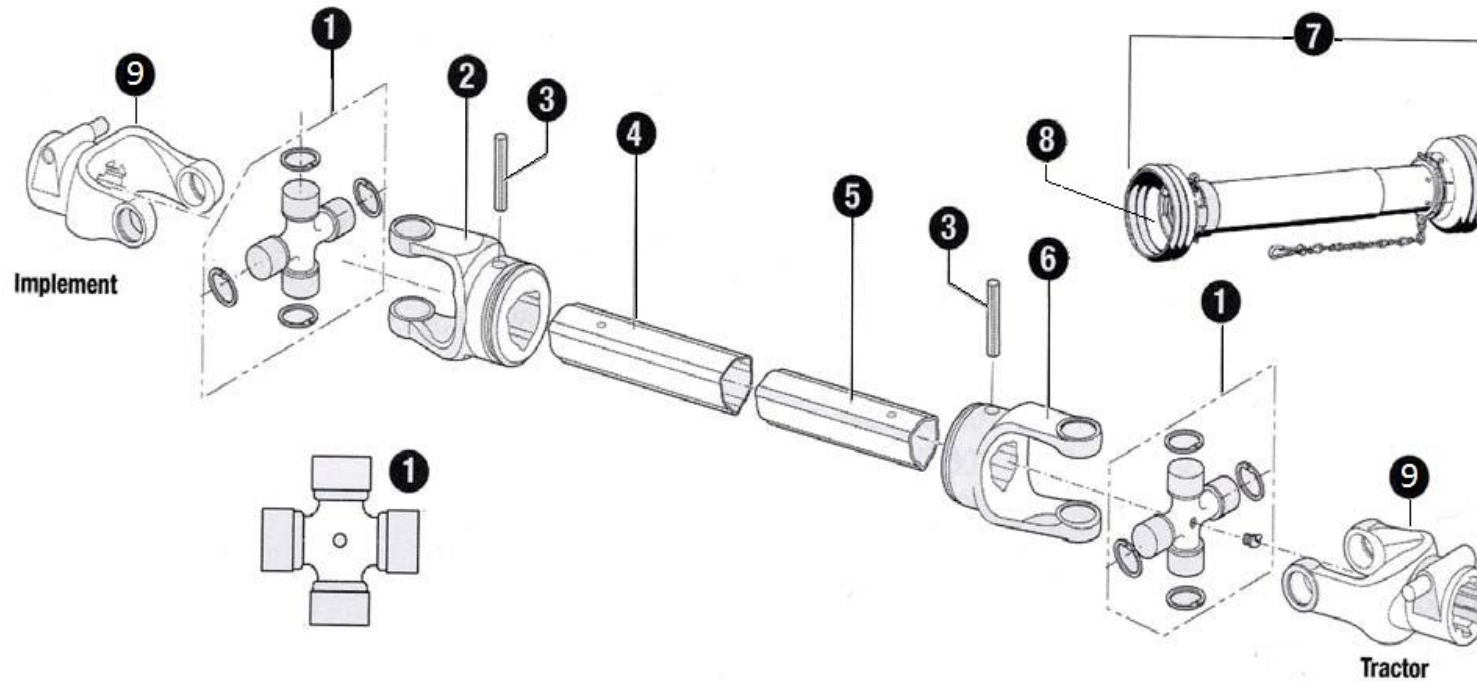


FL EXTRA NARROW GEARBOX

FL EXTRA NARROW GEARBOX M112050012XXN

No	Part Number	Qty	Description
1	Please Call	1	Input Shaft / Pinion Gear 13 Teeth
2	Please Call	1	Oilseal 72 x 35 x 10
3	Please Call	1	Snap Ring 35mm x 2.5 UNI 7436
4	Please Call	2	Shim 47 x 35 x 1
5	Please Call	1	Bearing 6207
6	Please Call	1	Gearbox Housing
7	Please Call	1	Bearing 30207
8	Please Call	2	Oilseal 75 x 45 x 8
9	Please Call	1	Hex Sleeve 30mm
10	Please Call	2	Internal Snap ring 75mm UNI 7437
11	Please Call	1	Bearing 16009
12	Please Call	1	Cover
13	Please Call	4	Bolt M8 x 20
14	Please Call	1	Crownwheel
15	Please Call	6	Oil Cap Socket Head
16	Please Call	1	Bearing 6009
17	Please Call	1	3/8" Oil breather cap

Please give us a call when ordering these parts as they are special order
 614-872-4620 – Phone
 614-873-8584 – Fax



PTO SHAFT ASSEMBLY

No	Part Number	Qty	Description
1	200-8474	2	Cross and bearing kit
2	700-6443	1	Yoke-outer tube
3	508-0860	2	Roll pin 8 x 60
4	600-6343	1	Outer tube
5	400-6436	1	Inner tube
6	300-6436	1	Yoke-inner tube
7	900-2548	1	Complete PTO guard 48"
	900-2560	1	Complete PTO guard 60"
8	961-2534	1	Guard Bearing Kit
9	102-8406*	2	Yoke 540 RPM
	560-8406†	1	Slip Clutch†

14106438

PTO Assembly with Slip Clutch

Contains everything listed above

*Replaceable with 807-8406 (clamp yoke) for Implement end only

† Cannot order individual parts; Order entire clutch